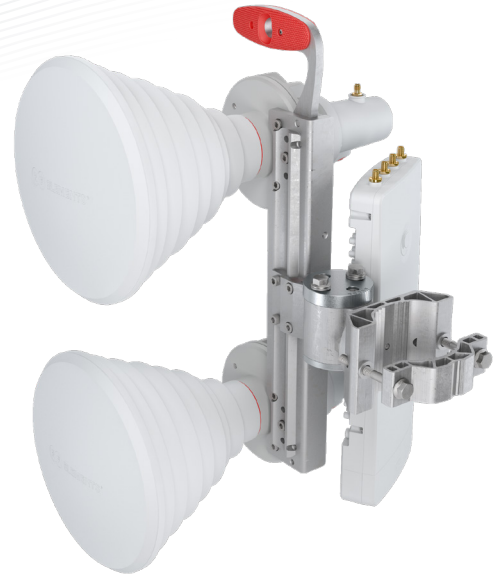


Twin Horn Bracket

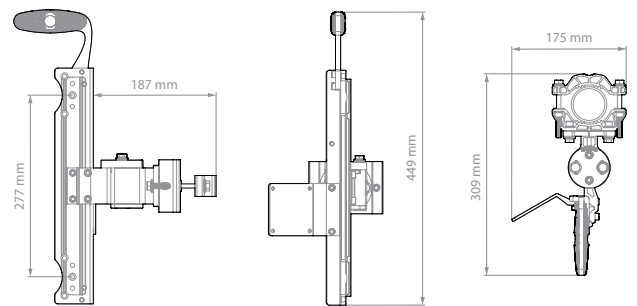
Twin Horn Bracket allows you to install two Symmetrical Horn antennas with exactly the same alignment. The bracket also accommodates mainstream 4x4 radios, such as ePMP™ 3000 or Mimosa® A5c. High density sectors or 4x4 deployments are now ingeniously simple.



TECHNICAL DATA

Materials	Aluminium and Zinc Alloy, Stainless Steel UV stabilized and weather resistant ABS plastic
Environmental	IP55
Pole Mounting Diameter	40-80mm (recommend as close to 80mm as possible)
Temperature	-40°C to +60°C (-40°F to +140°F)
Wind Survival	160 km/h
Mechanical Adjustment	± 20° Elevation, ± 20° Azimuth
Weight	2.2 kg / 4.8 lbs – single unit* 2.5 kg / 5.5 lbs – single unit incl. package* 27 kg / 59.5 lbs – carton (10 units)*
Single Unit	Retail Box: 387 x 145 x 98 mm / 15.2 x 5.7 x 3.8 inch*
10 Units	Carton Box: 392 x 150 x 990 mm / 15.4 x 5.9 x 38.9 inch*

PRODUCT DIMENSIONS

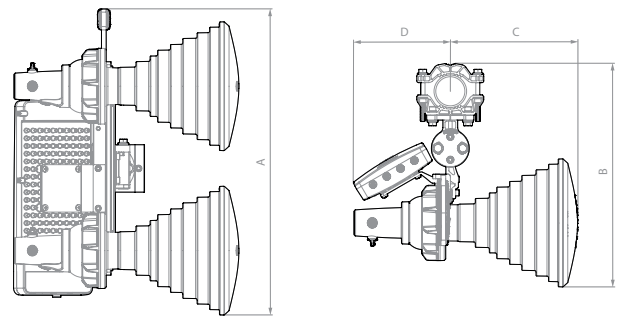


COMPATIBLE WIRELESS PLATFORMS

RF elements®	any Symmetrical Horn TP Antennas Gen2 with TPA-SMA, any Symmetrical Horn CC Antennas Gen2
Cambium Networks™	ePMP™ 3000
Mimosa® Networks	A5c

PACKAGE CONTENTS

- Twin Horn Bracket
- Pole Mounting Bracket
- Hex Key 5mm



Dimensions (mm / inch)	A	B	C
THB with HG3-TP-S30 and HG3-TP-S40	517 / 20.3	379 / 14.9	164 / 6.4
THB with HG3-TP-S50 to HG3-TP-S90	483 / 19.0	346 / 13.6	96 / 3.8
Dimensions (mm / inch)	D		
THB with ePMP™ 3000	164 / 6.4		
THB with A5c	172 / 6.7		

*Subject to change

Twin Horn Bracket Rev OCT-2019

RF elements® is trademark of RF elements s.r.o., Humenne, Slovakia.
All rights of respective trademark owner reserved.
© RF elements 2019